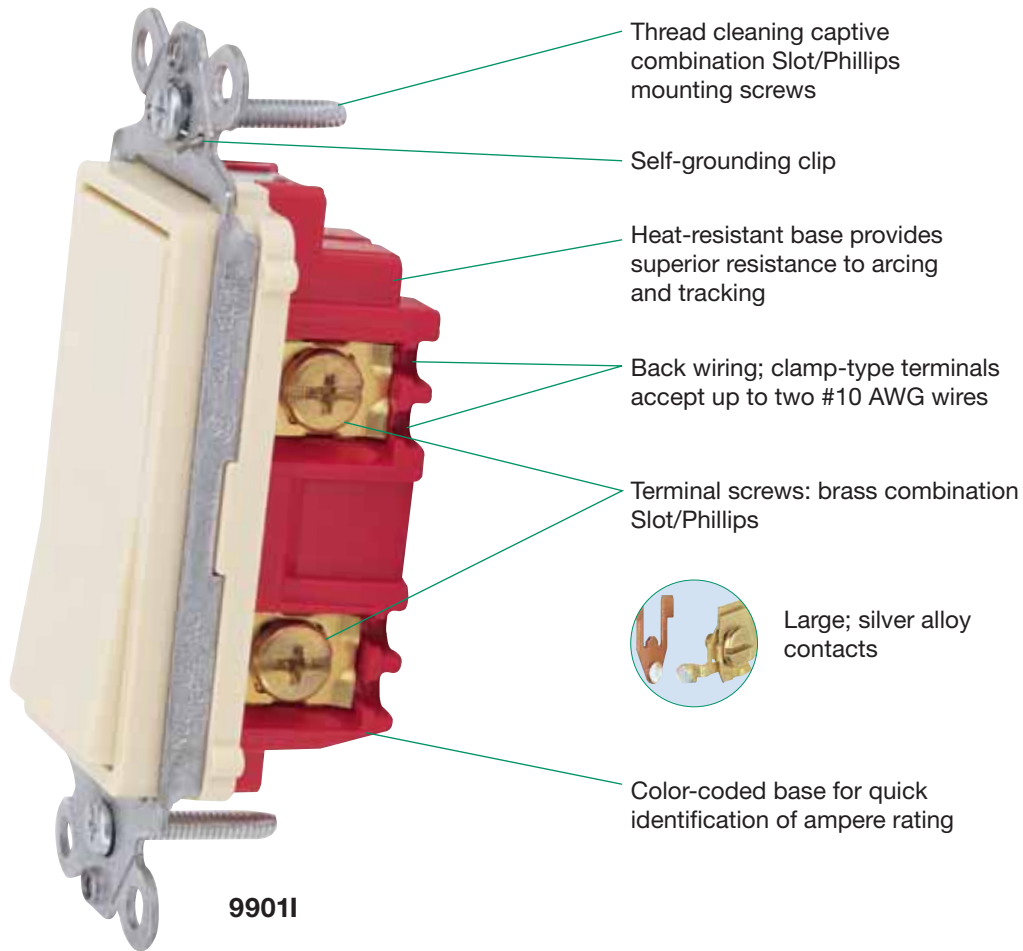




FASHION SERIES™
9000



The Face of Quality

The 9901 AC Rocker Switch shown is typical of Bryant's full line of Fashion Series 9000 designer switches. They combine the quality, features, and durability — the face of quality you've come to expect from Bryant — in a high-fashion look. All switches meet Bryant's rigid performance standards for hospital, industrial and commercial applications.

Available Types

- 15 and 20 amp, 120-277V AC ratings
- Horsepower rated
- Rocker handles in almond, ivory, white, gray, black and brown
- Single-pole, double-pole, 3-way and 4-way
- Two grounding options: grounding screw terminal or self-grounding clip
- Pilot light and lighted handle switches for specialized applications

Pilot Light Switches

Long-lasting neon lamp in handle lights when switch is in the "On" position, indicating that the circuit is energized. Applications include control of circuits which are not easily accessible or are out of sight such as motors, fans, and remote lights.

Lighted Handle Switches

Long-lasting neon lamp in handle glows when switch is in the "Off" position to help locate the switch in darkness. It also serves as a nightlight in rooms and hallways.



Color-Coded Base Indicates Ampere Rating



15 Amp Blue Base
9801 Series



20 Amp Red Base
9901 Series

Decorator Products

Commercial 15 and 20 Amp 120-277V AC; Back and Side Wired



FASHION SERIES™
5000

- General use rocker switches are designed for controlling, resistive, inductive, tungsten-filament, fluorescent and motor loads for AC branch lighting and appliance circuits, as permitted by NEC®
- Reliable, heavy-duty copper alloy construction
- Approved for copper wire only, solid and stranded



COMMERCIAL AC ROCKER SWITCHES

Description	Color	Catalog Number	
		15A 120-277V AC	20A 120-277V AC
Single-pole rocker switch; back and side wired	Almond	9801AL	9901AL
	Black	—	9901BLK
	Brown	9801	9901
	Gray	9801GRY	9901GRY
	Ivory	9801I	9901I
	White	9801W	9901W
Double-pole rocker switch; back and side wired	Almond	—	9902AL
	Black	—	9902BLK
	Brown	—	9902
	Gray	—	9902GRY
	Ivory	—	9902I
	White	—	9902W
3-Way rocker switch; back and side wired	Almond	9803AL	9903AL
	Black	—	9903BLK
	Brown	9803	9903
	Gray	9803GRY	9903GRY
	Ivory	9803I	9903I
	White	9803W	9903W
4-Way rocker switch; back and side wired	Almond	—	9904AL
	Black	—	9904BLK
	Brown	—	9904
	Gray	—	9904GRY
	Ivory	—	9904I
	White	—	9904W

COMMERCIAL AC LIGHTED ROCKER SWITCHES

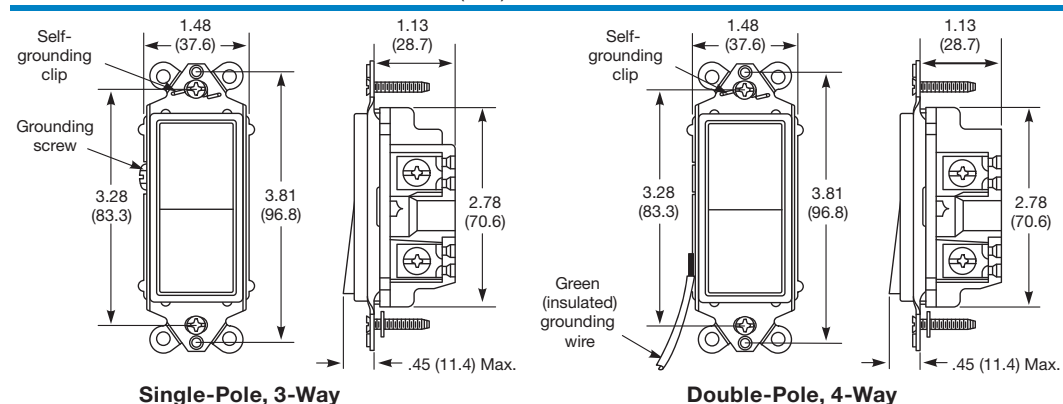
Description	Color	Catalog Number
		20A 120V AC
Single-pole illuminated rocker	Ivory	9901GLI*
	White	9901GLW*
Single-pole pilot rocker	Ivory	9901PLI120**
	White	9901PLW120**
3-Way illuminated rocker	Ivory	9903GLI*
	White	9903GLW*

Note: *Illuminates when switch is "OFF".
**Pilot on when switch is "ON".

HORSEPOWER RATINGS

RATING	120V	240V	277V AC	RATING	120V	240V	277V AC
15 AMP	½ HP	2 HP	2 HP	20 AMP	1 HP	2 HP	2 HP

PRODUCT DIMENSIONS Inches (mm)



NEC® is a registered trademark of the National Fire Protection Association (NFPA).